

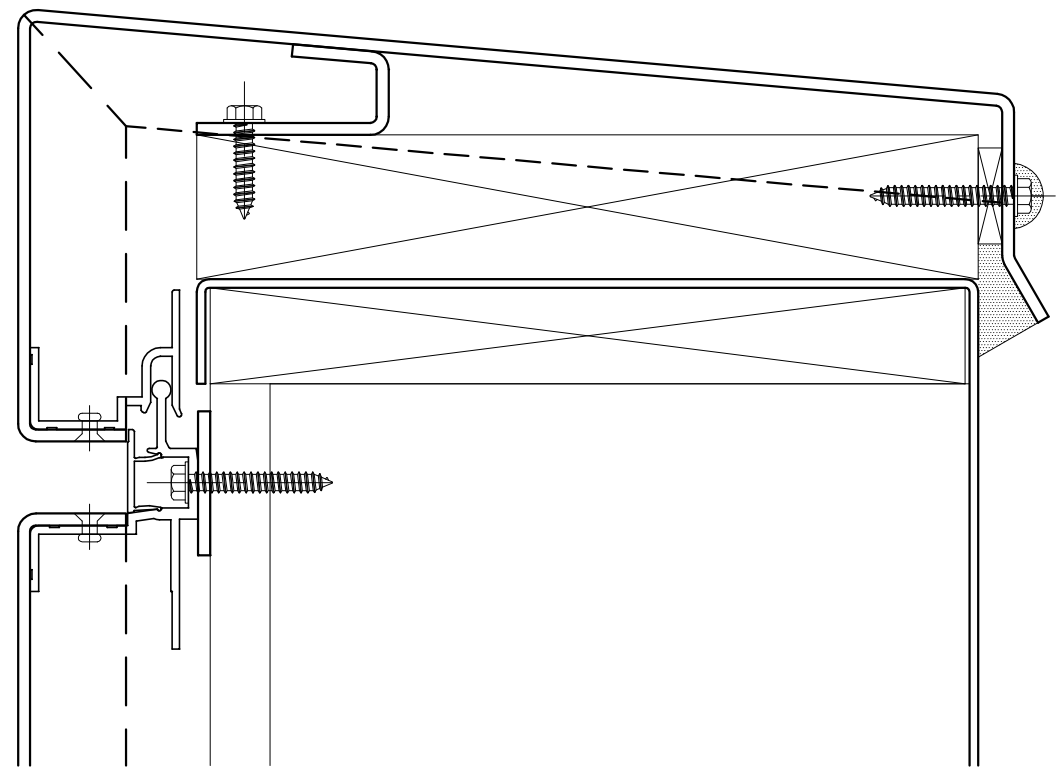
PANEL STYLE:  
 LOW-PROFILE RAIN SCREEN

- KEY COMPONENTS:
- PART 1
  - PART 2
  - PART 3
  - PART 4
  - PART 5
  - PART 6
  - PART 7
  - PART 8
  - PART 9
  - PART 10

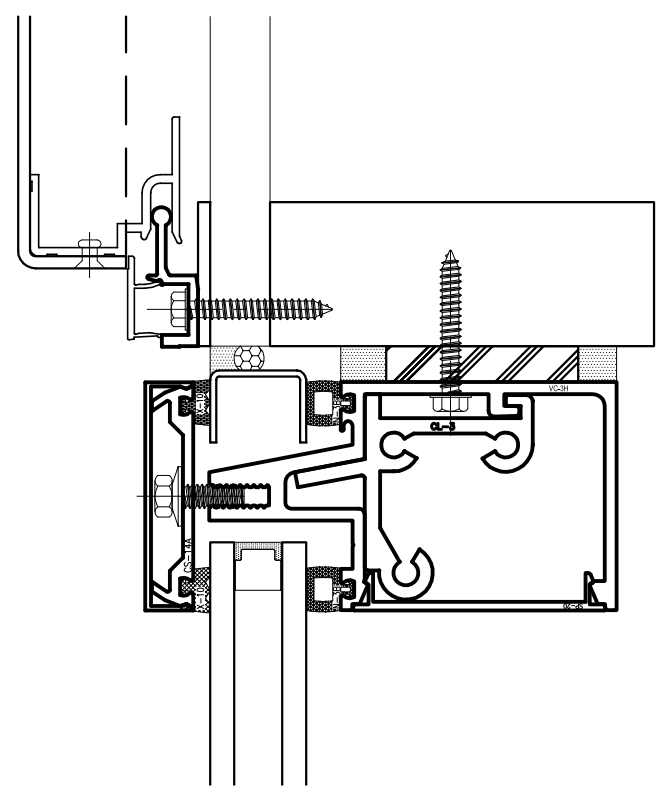
NOTES:  
 NOTE 1  
 NOTE 2  
 NOTE 3

SCALE: 6" = 1'

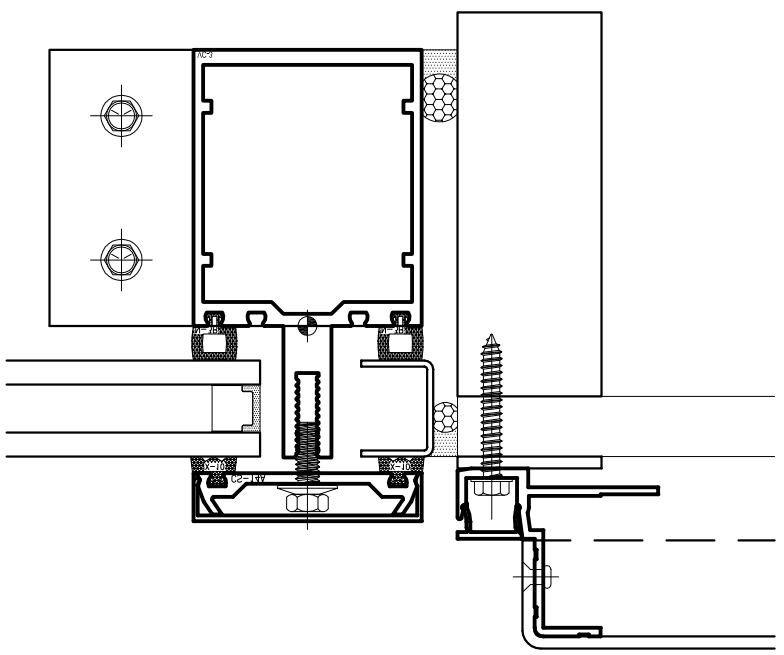
ALL INFORMATION SHOWN ON THIS SHEET, INCLUDING WITHOUT LIMITATION TEXT, PLANS, SECTIONS, DETAILS AND DIMENSIONS, ARE THE PROPERTY OF LINEL SIGNATURE, LLC. IT MAY NOT BE COPIED OR USED IN ANY WAY WITHOUT THE EXPRESS WRITTEN AUTHORIZATION OF LINEL SIGNATURE, LLC.



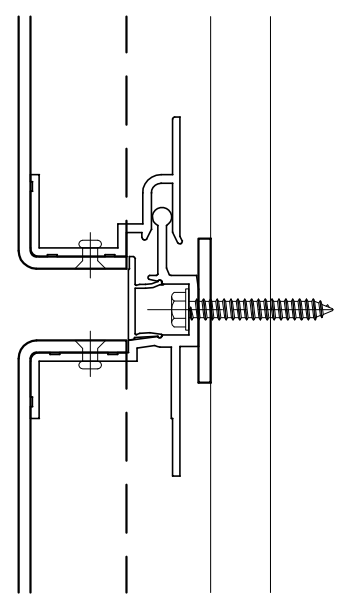
2  
 1 HORIZONTAL AT COPING  
 LOW-PROFILE RAIN SCREEN



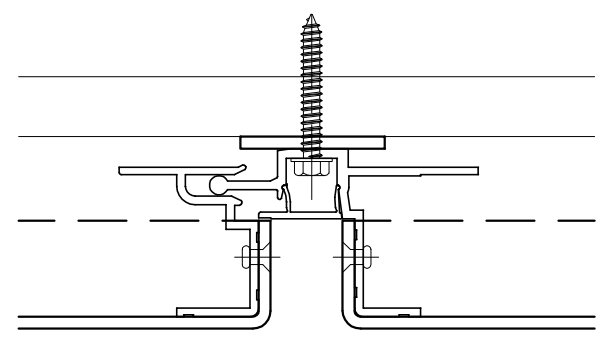
5  
 1 HORIZONTAL AT WINDOW HEAD  
 LOW-PROFILE RAIN SCREEN



1  
 1 VERTICAL AT WINDOW JAMB  
 LOW-PROFILE RAIN SCREEN



4  
 1 TYPICAL HORIZONTAL  
 LOW-PROFILE RAIN SCREEN



3  
 1 TYPICAL VERTICAL  
 LOW-PROFILE RAIN SCREEN