

GLAZING JOINT STYLE:
 STRUCTURALLY GLAZED

AIR & WATER INFILTRATION MANAGEMENT STYLE:
 PRESSURE EQUALIZED

KEY COMPONENTS:

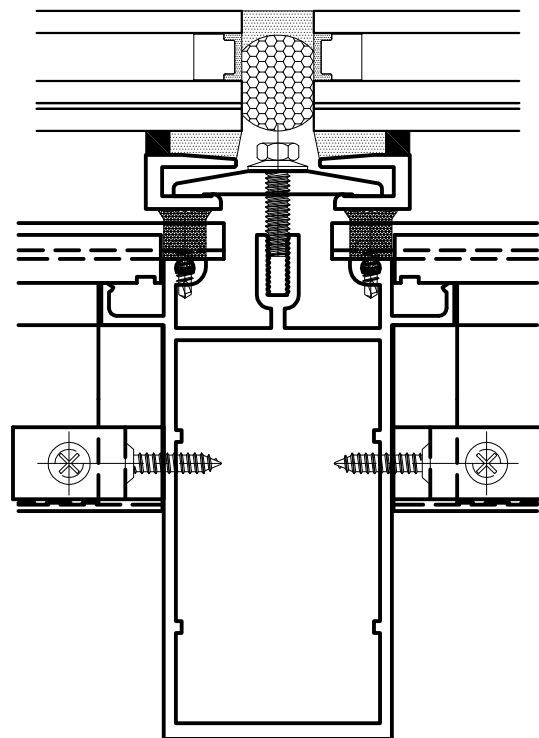
- PART 1
- PART 2
- PART 3
- PART 4
- PART 5
- PART 6
- PART 7
- PART 8
- PART 9
- PART 10

NOTES:

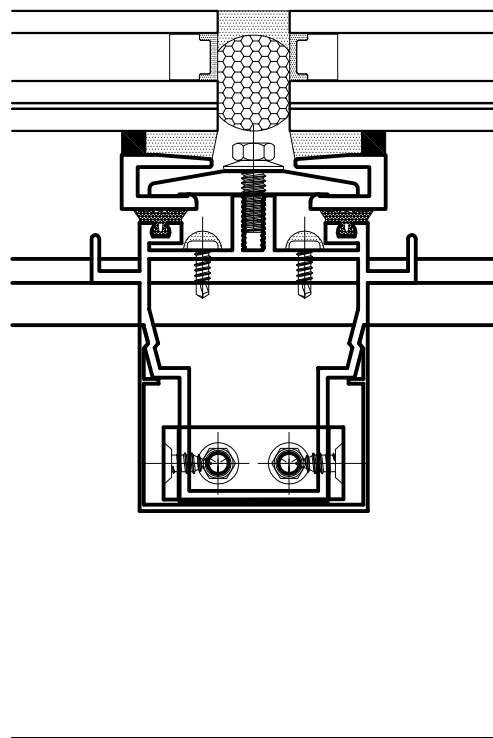
- NOTE 1
- NOTE 2
- NOTE 3

SCALE: 6" = 1'

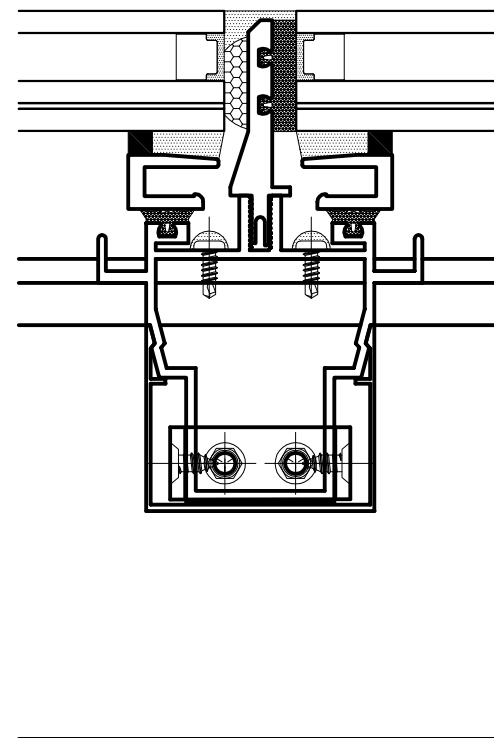
ALL INFORMATION SHOWN ON THIS SHEET, INCLUDING WITHOUT LIMITATION TEXT, PLANS, SECTIONS, DETAILS AND DIMENSIONS ARE THE PROPERTY OF LINEL SIGNATURE, LLC. IT MAY NOT BE COPIED OR USED IN ANY WAY WITHOUT THE EXPRESS WRITTEN AUTHORIZATION OF LINEL SIGNATURE, LLC.



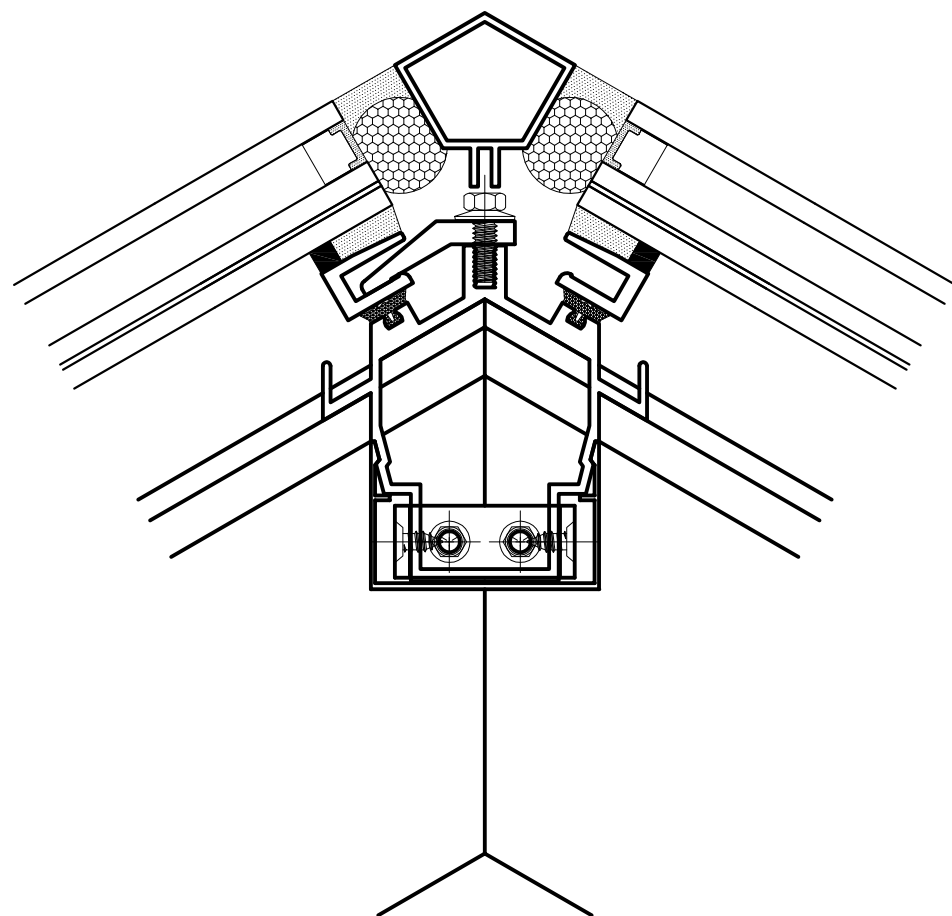
1
1 TYPICAL RAFTER
 STRUCTURALLY GLAZED, PRESSURE EQUALIZED



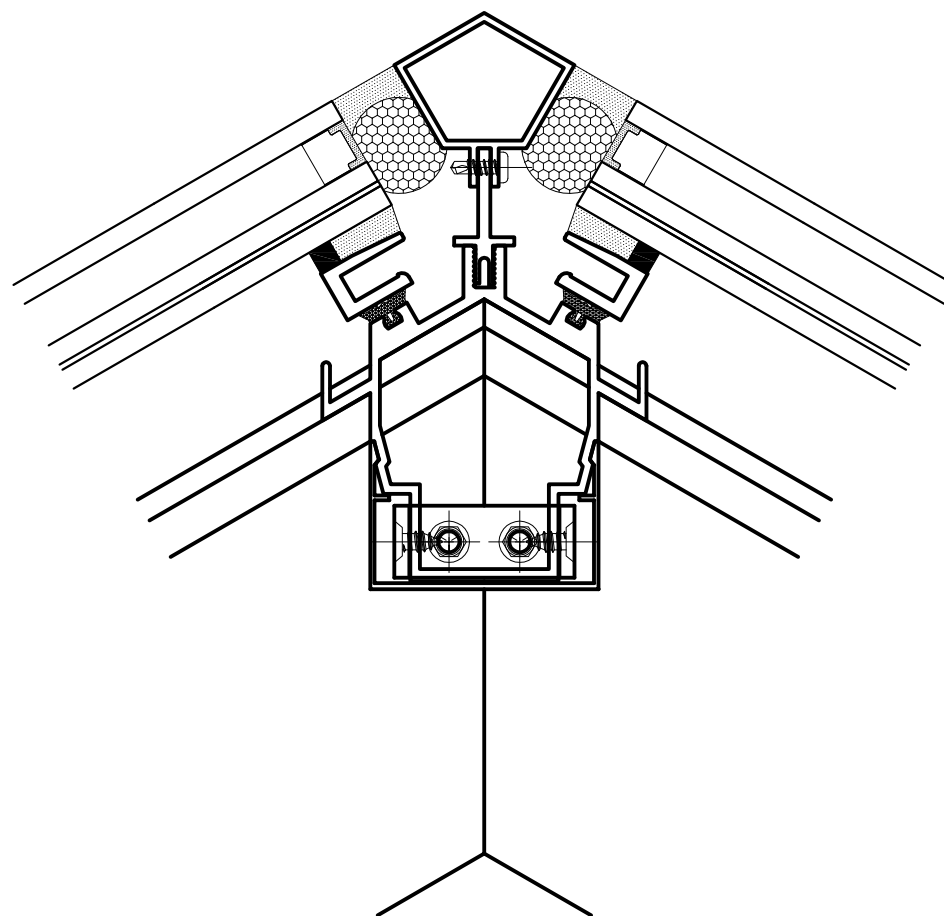
2
1 TYPICAL PURLIN AT RETENTION CLIP
 STRUCTURALLY GLAZED, PRESSURE EQUALIZED



3
1 TYPICAL PURLIN AT SETTING BLOCK
 STRUCTURALLY GLAZED, PRESSURE EQUALIZED



4
1 TYPICAL RIDGE AT RETENTION CLIP
 STRUCTURALLY GLAZED, PRESSURE EQUALIZED



5
1 TYPICAL RIDGE AT REVEAL MOUNT
 STRUCTURALLY GLAZED, PRESSURE EQUALIZED